

FIRE ISOLATOR

Datasheet Water Mist Lance Set

Product description

The T-ISS Water Mist Lance & Penetration Hammer are designed to meet the requirements in SOLAS regulations II-2/10.7.3 for extinguishing fires inside confined spaces, such as fires in containers. However, the model is also made suitable to flood EV car Lithium batteries in order to cool down these batteries in case of fire.

This solution for creating water mist inside confined spaces is simple to operate, and at the same time very effective. Use of the lance and hammer is very simple; you can simply follow the instructions in the manual.

The Water Mist Lance is made of stainless steel and the top shaft was PE-coated to prevent Electric shock. When connected to water supply, the lance will produce a water mist inside the container.

The shaft is variable in length from 500mm up to max 1350mm. According to the regulations, vessels built on or after January 1, 2016, and designed to carry containers on or above the weather deck, must carry at least one water mist lance.

Picture Water Mist Lance Set



Dimensions, Features & Approval

Art.no: VE1250WMSD

Width	Height	Diameter	Weight
300 mm	1350 mm	22 mm	5,5 kg

HS code: 8454909000

Lance Material: Shaft SS 304, Top PE Coated

Nozzle: SS 316

NOMINAL PRESSURE AND FLOW about 90L/min @ 8BAR

Ball Valve: Stainless steel

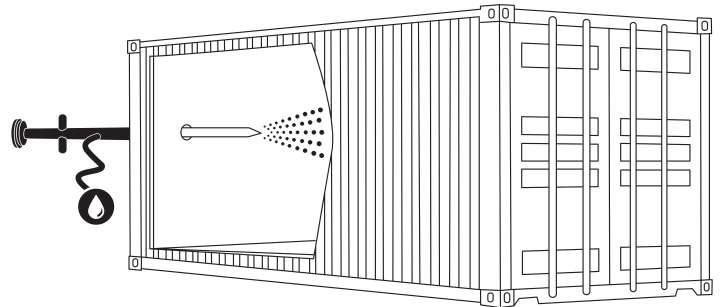
Impact hammer : 45# (plating nickel on surface)

Drill size: \varnothing 19mm, 77mm in depth

Length of Impact Hammer : 478mm, weight 2,5 kg

- ABS approval pending

Water Mist Lance in container



Applications & Use

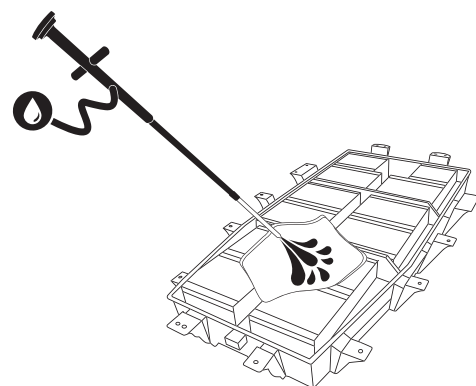
Use:

1. The Watermist Lance can be used to fight container fires onboard of ships
2. The Lance also can be used to flood Lithium battery in a carfire, therefore the lance has to be inserted directly into the battery
3. For extinguishing fires in enclosed spaces

How to handle:

1. Read the manual first, follow an online training or a reallife training

Water Mist Lance flooding Lithium battery



Visit our website:

FIREISOLATOR.COM

© COPYRIGHT T-ISS B.V. - All rights reserved

T-ISS
Safety Suppliers

Global

Studsgaard

Scandinavia

GARANT
ProTech

Baltic, Russia, Finland, Poland